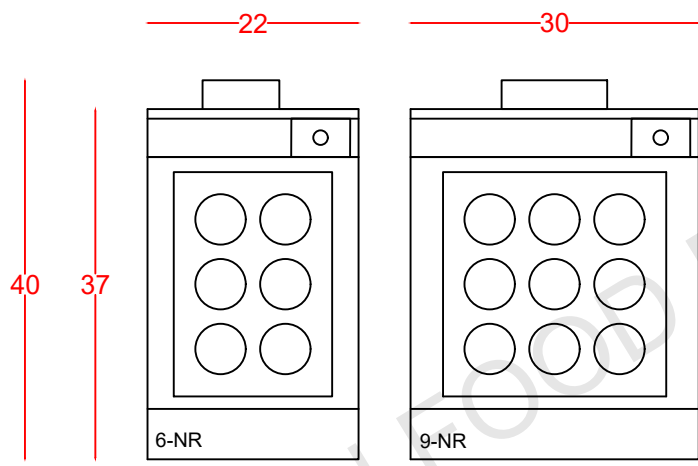
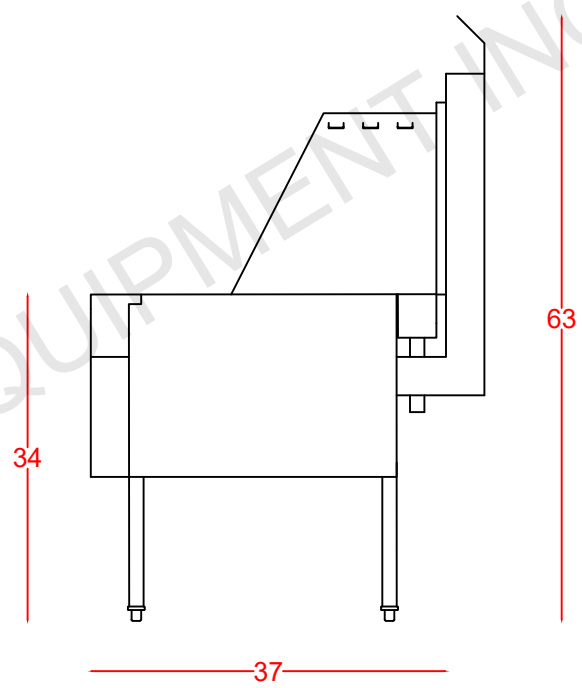


6 OR 9 HOLE NOODLE RANGE



FRONT VIEW



ELEVATION

NOTE
 THE DRAWINGS ARE THE EXCLUSIVE PROPERTY OF DRAGON FOOD EQUIPMENT INC. AND CANNOT BE USED OR REPRODUCED WITHOUT ANY WRITTEN PERMISSION.
 WRITTEN DIMENSIONS DO NOT HAVE CORRESPONDENCE WITH SCALE MEASUREMENTS AND THOSE ARE FOR ILLUSTRATION PURPOSES ONLY.
 DRAWINGS ARE DRAWN IN IMPERIAL STANDARD, AND UNITS ARE IN INCHES.
 CUSTOMER OR CONTRACTOR SHALL REMAIN RESPONSIBLE TO VERIFY FOR ALL DIMENSIONS AND CONDITIONS ON THE JOB AND THIS OFFICE SHALL BE INFORMED OF ANY VARIATIONS FROM THE DIMENSIONS AND CONDITIONS SHOWN ON THE DRAWINGS.
 SERIAL NUMBERS OR ABBREVIATIONS ARE SUBJECT TO UNIQUE IDENTIFIERS OF ITEMS. PLEASE CONSULT FACTORY FOR DETAILED INFORMATION.
 ACCESSORIES SUCH AS WOK, POT OR ANY OTHER ITEMS ARE NOT INCLUDED, REQUEST TO ORDER CONSULT FACTORY.

圖紙僅供參考，最終產品尺寸於我們公司的標準

Drawing is for illustration purposes only. Final product may not be to scale. Actual dimensions may vary based on our company standards.

This is a custom order, no refund or exchange. By signing above, you agree to our company's terms and conditions, approved the drawing. No changes are permitted.

Name: _____

Signature: _____

CATEGORY NOODLE RANGE		
PRODUCT/ ORDER: 6 OR 9 HOLE NOODLE RANGE		
PREPARED BY: Dragon Food Equipment Inc.	DATE: JUN 6, 2023	
DRAWN BY: ML	SCALE: NTS	DWG NO: I